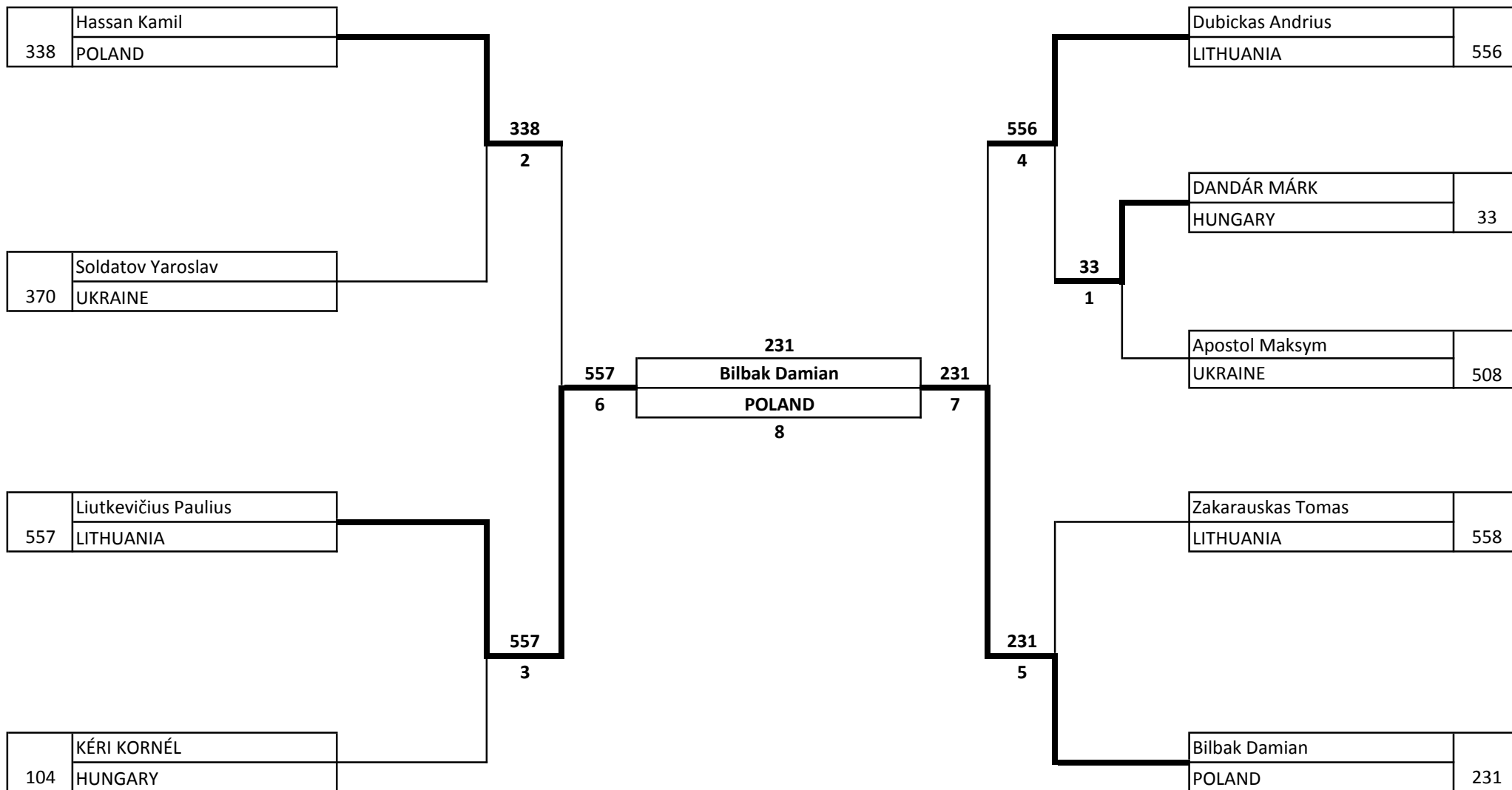


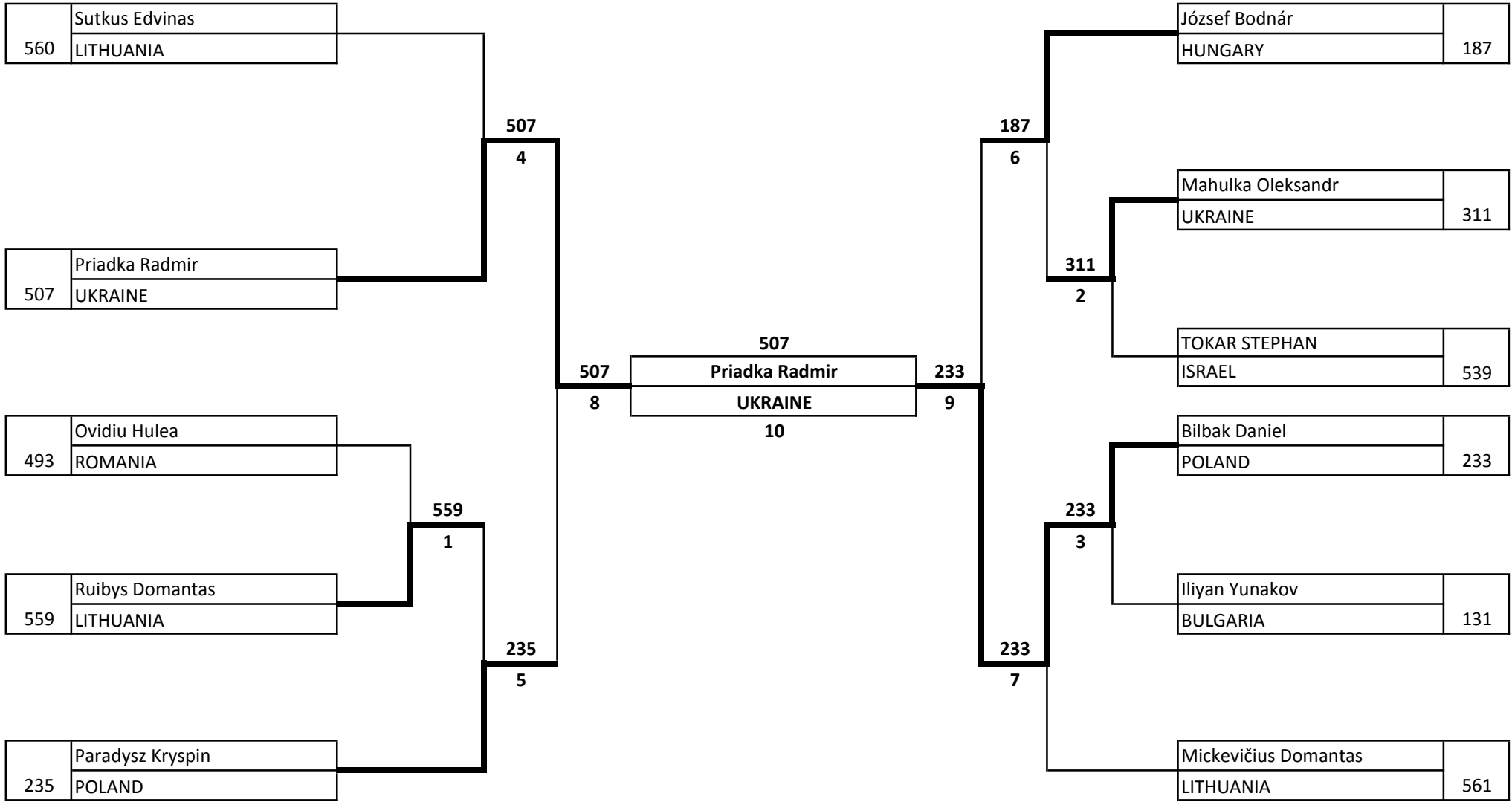
EUROPEAN KYOKUSHIN/SHINKYOKUSHIN CHAMPIONSHIP U-16

male 14-16 -50



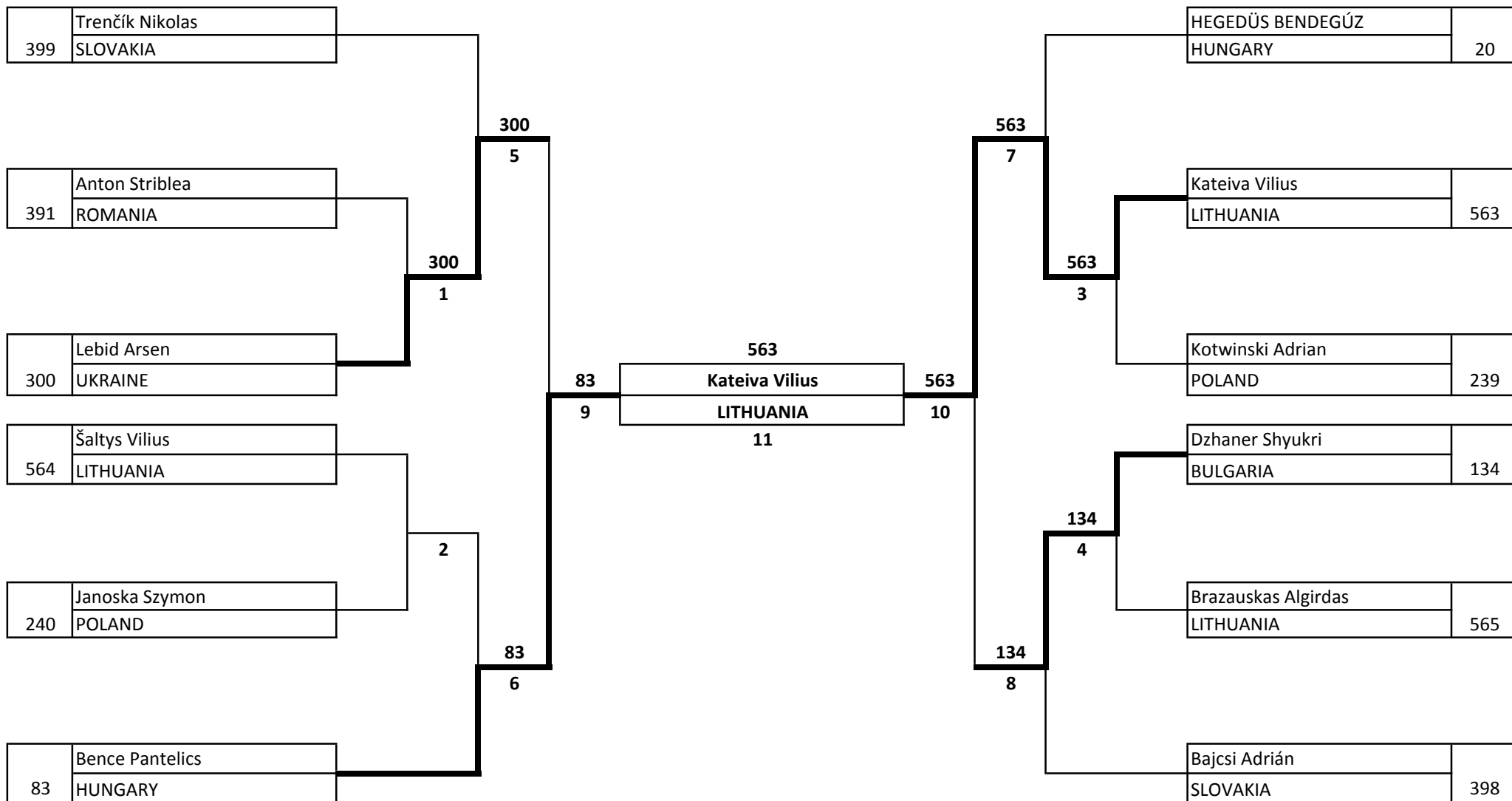
EUROPEAN KYOKUSHIN/SHINKYOKUSHIN CHAMPIONSHIP U-16

male 14-16 -55



EUROPEAN KYOKUSHIN/SHINKYOKUSHIN CHAMPIONSHIP U-16

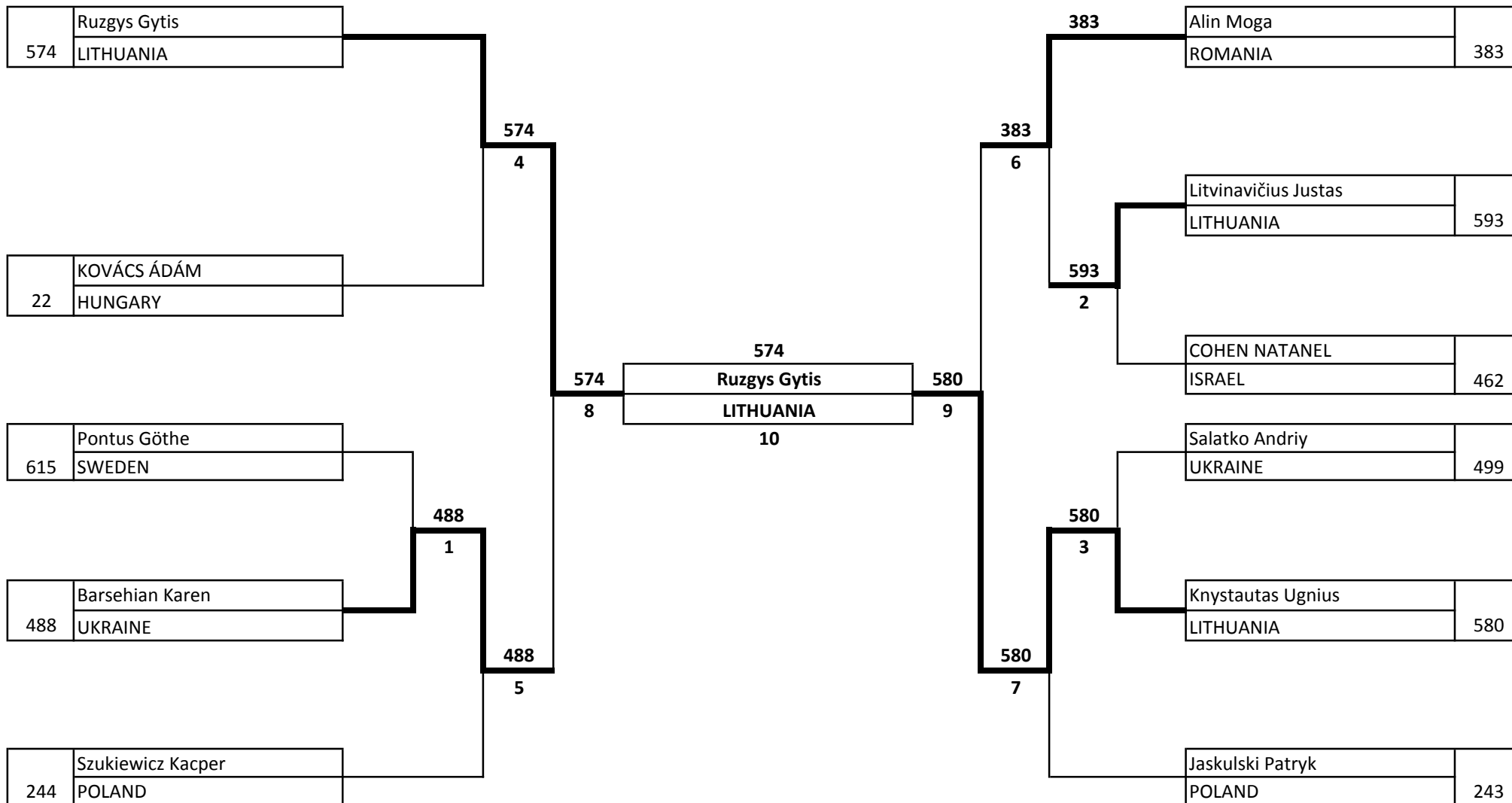
male 14-16 -65





EUROPEAN KYOKUSHIN/SHINKYOKUSHIN CHAMPIONSHIP U-16

male 14-16 -75



EUROPEAN KYOKUSHIN/SHINKYOKUSHIN CHAMPIONSHIP U-16, Kaunas 8-9 November 2014

male 14-16 KATA

